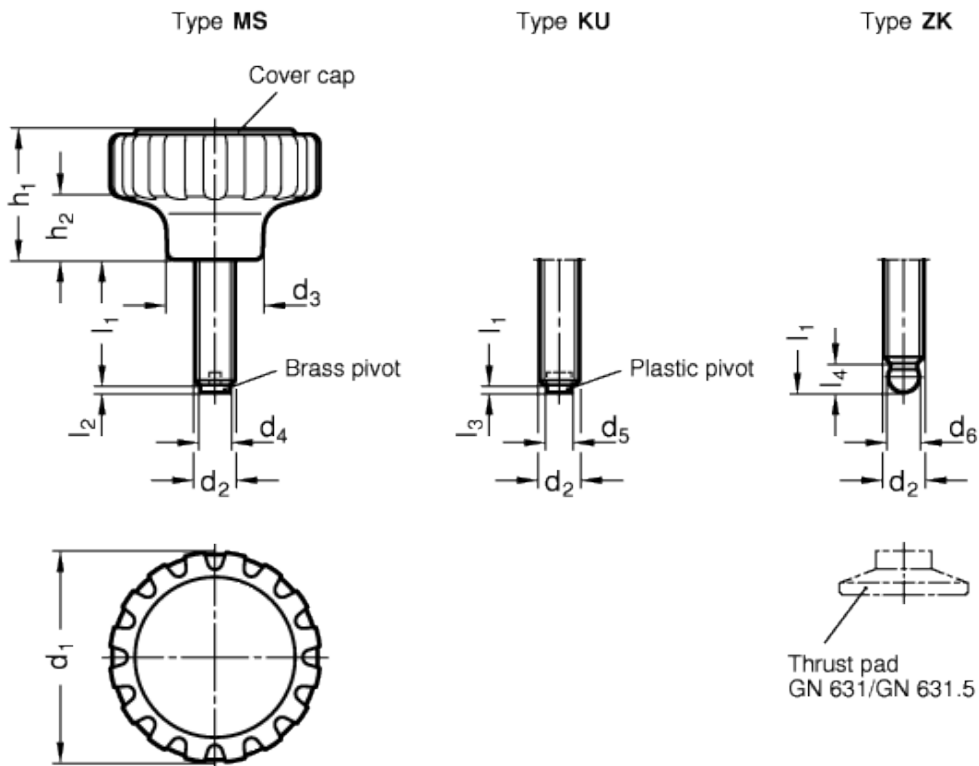


GN 7336.5

Knurled knobs with threaded stud



INOX
Stainless Steel



technical informations

Material

Plastic, polyamide based (PA) technopolymer, glas fibre reinforced, temperature resistant up to 130 °C, black matte finish.

Threaded pin

AISI 304 stainless steel, A2.

Cover cap

Light grey, matte finish.

Standard versions available

- Type MS: Brass pivot.
- Type KU: Plastic pivot (Polyacetal POM)
- Type ZK: spherical pivot

Features and applications

Knurled knobs GN 7336.5, version MS/KU with brass or plastic pivots are used when pressure dents or damage must be avoided.

Knurled knobs GN 7336.5, version ZK feature a spherical pivot whose $\varnothing d_6$ is smaller than the core \varnothing of the thread. The version with spherical pivot is suitable for holding GN 631 / GN 631.5 thrust pads, which must be ordered separately.

These knurled knobs GN 7336.5 distinguish an attractive design in combination with closed shape (no recess on the underside of the handles).

Standard Elements	Main dimensions										Threaded pin		Weight
Description	d ₁	d ₃	d ₄	d ₅	d ₆	h ₁	h ₂	l ₂	l ₃	l ₄	d ₂	l ₁	g
GN 7336.5-34-M6-15-*	34	16	4	3.5	4.5 ±0.03	21	10.5	1	1.3	5.1	M6	15	16
GN 7336.5-34-M6-20-*	34	16	4	3.5	4.5 ±0.03	21	10.5	1	1.3	5.1	M6	20	17
GN 7336.5-34-M6-25-*	34	16	4	3.5	4.5 ±0.03	21	10.5	1	1.3	5.1	M6	25	20
GN 7336.5-34-M6-30-*	34	16	4	3.5	4.5 ±0.03	21	10.5	1	1.3	5.1	M6	30	25
GN 7336.5-42-M8-20-*	42	19	6	5	6.1 ±0.05	26	13	1.5	1.6	6.2	M8	20	30
GN 7336.5-42-M8-25-*	42	19	6	5	6.1 ±0.05	26	13	1.5	1.6	6.2	M8	25	35
GN 7336.5-42-M8-30-*	42	19	6	5	6.1 ±0.05	26	13	1.5	1.6	6.2	M8	30	35
GN 7336.5-42-M8-40-*	42	19	6	5	6.1 ±0.05	26	13	1.5	1.6	6.2	M8	40	40
GN 7336.5-53-M10-25-*	53	24	8	6.5	7.8 ±0.05	32	16	2	1.9	7.3	M10	25	55
GN 7336.5-53-M10-30-*	53	24	8	6.5	7.8 ±0.05	32	16	2	1.9	7.3	M10	30	60
GN 7336.5-53-M10-40-*	53	24	8	6.5	7.8 ±0.05	32	16	2	1.9	7.3	M10	40	75
GN 7336.5-53-M10-50-*	53	24	8	6.5	7.8 ±0.05	32	16	2	1.9	7.3	M10	50	75

* Complete the description of the standard item needed by adding the type MS (Brass pivot), KU (Plastic pivot) or ZK (spherical pivot).



STANDARD MACHINE ELEMENTS WORLDWIDE